

Operationalizing Declarative and Procedural Knowledge: a Benchmark on Logic Programming Petri Nets (LPPNs)

Giovanni Sileno¹

¹Informatics Institute, University of Amsterdam, the Netherlands
g.sileno@uva.nl

Abstract. Modelling, specifying and reasoning about complex systems requires to process in an integrated fashion declarative and procedural aspects of the target domain. The paper reports on an experiment conducted with a propositional version of Logic Programming Petri Nets (LPPNs), a notation extending Petri Nets with logic programming constructs. Two semantics are presented: a denotational semantics that fully maps the notation to ASP via Event Calculus; and a hybrid operational semantics that process separately the causal mechanisms via Petri nets, and the constraints associated to objects and to events via Answer Set Programming (ASP). These two alternative specifications enable an empirical evaluation in terms of computational efficiency. Experimental results show that the hybrid semantics is more efficient w.r.t. sequences, whereas the two semantics follows the same behaviour w.r.t. branchings (although the denotational one performs better in absolute terms).

Keywords: Reasoning, Model-execution, Discrete simulation, Causal mechanisms, Constraints, Answer Set Programming, Petri Nets

1 Introduction

A proper treatment of cases or scenarios is based on two requirements: on the one hand, to capture and adequately process the symbolic entities used to *represent* the target system: instances, classes, interrelationships forming a local ontology relevant to the domain in focus; on the other hand, to *reproduce*—by means of elements modelling causal mechanisms, processes, courses of actions, etc.—the same dynamics exhibited by the target system.

Consider for example this case: “*While John was walking his dog, the dog ate Paul’s flowers.*” This event description is not sufficient for entailing that John is responsible to pay Paul for what happened, as typically this is concluded on the basis of norms as “*The owner of an animal has to pay for the damages it produces.*”. However, even this addition lacks crucial connections between the

* Copyright ©2020 for this paper by its authors. Use permitted under Creative Commons License Attribution 4.0 International (CC BY 4.0).

conceptual domain of the case and the one of the norm, like “*dogs are animals*”, “*eating an object destroys the object*”, “*destruction is damage*”, etc.

These various elements exhibit two perspectives on knowledge: a *declarative* perceptive, concerning *objects* (physical, mental, institutional) and their logical relationships—both reified as symbols—; and a *procedural* perceptive, concerning patterns of events/actions, mechanisms, or *processes* (involving objects) (cf. reactive/declarative dichotomy in [10]). Formal logic is the prototypical domain concerned with the first perspective, just as process modeling focuses on the second. Unfortunately, methodologies associated with one of the two aspects generally have a limited treatment of the other component, and they require specific mediating machinery to deal with. For instance, if you want to make a certain outcome impossible in a procedural model you need to add conditions that disable all transitions that might produce that outcome. If you want to represent a transition in a declarative way, a typical approach is to consider *snapshots* of the arrangements holding before and after the transition, usually labeled with a sort of timestamp. This is the principle behind *situation calculus* [15, 20], *event calculus* [11, 21], and *fluent calculus* [24]: using appropriate axioms, you can create and reason about the logical dependencies between these snapshots in a way such that they are compatible to the causal relationships between the moments they refer to.

Rather than trying to project one dimension on the other, an alternative tradition in AI and logic proposes to consider *causality* as a primitive notion. This approach is for instance behind the idea of all *Action languages* [6]. Even when the dichotomy is made clear, however, operationalizations of these languages often result in compiling action programs to logic programs [5, 4], returning to ‘snapshot-handling’ solutions.

The motivation behind this work stems from the hypothesis that leaving process analysis to procedural descriptions should be in principle a better choice: procedural components can directly map to native computational mechanisms, that can be used not only to *re-present*, but also *re-create* the process object, transforming the question from what the referent *should be* (characteristic of logic), to what *it is* (characteristic of simulation and more in general of model-execution).

The paper reports therefore on a simple benchmark experiment with an *hybrid* notation (that is, including procedural and declarative knowledge components), called *Logic Programming Petri Nets* (LPPNs).¹ Section § 2 will introduce the motivation and an informal semantics of LPPNs. Section § 3 will present a formalisation of a propositional version of LPPN. Section § 4 will present an hybrid operational semantics and a denotational semantics based on ASP programs with Event Calculus. Section § 5 will present the results of a first empirical experiment. Discussion and a note on further developments end the paper.

¹ A prototype of a LPPN interpreter is available on <http://github.com/s113n0/pypneu>, together with the code run for conducting the experiment.

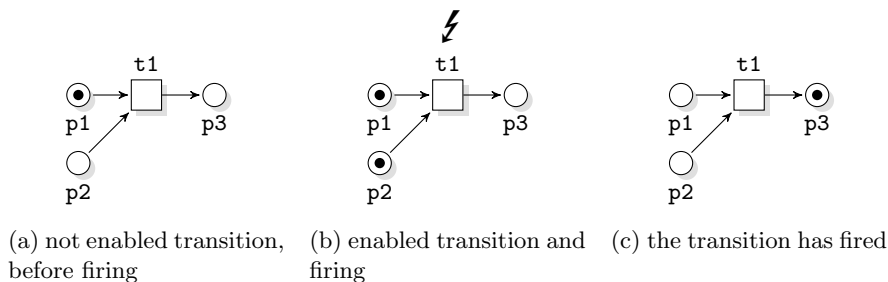


Fig. 1: Example of a Petri net and of its execution (but also of a LPPN *procedural component* when labels are propositions).

2 Logic Programming Petri Nets

Logic Programming Petri Nets (LPPNs) are a visual notation first introduced in [22] as an common representational ground where to align representations of *law* (norms), of *implementations of law* (regulatory services in the form of business processes), and of *action* (behavioural scripts ascribed to social participants). It has been used for a wide class of models (business processes embedded with normative positions, representation of scenarios issued from narratives, agent scripts, deontic paradoxes, etc. [22]). The notation builds upon the intuition that places and transitions mirror the common-sense distinction between *objects* and *events* (e.g. [2]), roughly reflecting the use of *noun/verb* categories in language [9]: the procedural components captured by Petri nets can be used to model *transient* aspects of the system in focus; the declarative components captured by logic programming construct can be used to model *steady state* aspects, i.e. those on which the transient is irrelevant or does not make sense (e.g. terminological constraints). In this section we will informally describe the bases motivating their integration.

2.1 From Petri Nets to LPPNs

Petri nets are a simple, yet effective computational modelling representation featuring an intuitive visualisation (see Fig. 1). They consist in directed, bipartite graphs with two types of nodes: *places* (visually represented with circles) and *transitions* (with boxes). A place can be connected only to transitions and vice-versa. One or more *tokens* (dots) can reside in each place. The execution of Petri nets is also named “token game”: transitions *fire* by consuming tokens from their input places and producing tokens in their output places.²

Despite their widespread use in computer science, electronics, business process modelling and biology, Petri nets are generally considered not to be enough expressive for reasoning purposes: in their simplest form, tokens are indistinct,

² For an overview on the general properties of Petri nets see e.g. [18].

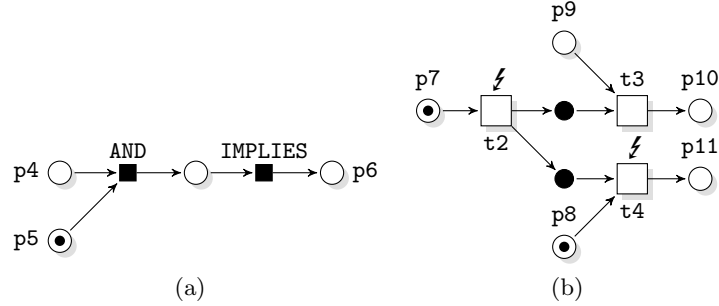


Fig. 2: Examples of LPPN *declarative components*: (a) defined on places by means of *lp-nodes* (the example corresponds to the Prolog/ASP code: `p6 :- p4, p5. p5.`); (b) defined on transitions, by means of *lt-nodes*, instantaneously propagating the firing where possible (the IMPLIES label is here left implicit).

and do not transport any data. Nevertheless, it is a common practice for modellers to introduce labels to set up a correspondence between the *modelling* entities and the *modelled* entities. This practice enables them to read the results of a model execution in reference to the modelled system. In other words, an adequate labelling is still *functional to the use* of a Petri net for modelling purposes, although it is not a requirement for the execution in itself. Further interaction is possible if these labels are processed according to an additional formalism, as for instance it occurs with *Coloured Petri Nets* (CPNs) [8] (for many aspects a descendant of *Predicate/Transition nets* [7]). If their expressiveness and wide application provide reasons for its adoption, CPNs also introduce many details which are unimportant in a case modelling setting (e.g. expressions on arcs); more importantly, they still lack the ability of specifying and processing *declarative bindings*, necessary, for instance, to model terminological relationships. This brings us to the idea of LPPN.

Whereas Petri nets essentially specify *procedural mechanisms*, Logic Programming Petri Nets (LPPNs) extend those (a) with *literals* as labels, attached on places and transitions; (b) with nodes specifying (logic-programming based) *declarative bindings* on places and on transitions. For simplicity, this paper will focus only on propositional labelling. Under this constraint, the execution of the LPPN procedural component is the same as *Condition/Event nets*, Petri nets whose places do not contain more than one token (Fig. 1). Logic operator nodes might apply on places (*lp-nodes*) or on transitions (*lt-nodes*). An example of a sub-net with *lp-nodes* (small black squares) is given in Fig. 2a; these are used to create logic compositions of places (via operators as NEG, AND, OR, etc). or to specify logic inter-dependencies (via the logic conditional IMPLIES). Similarly, transitions may be connected declaratively via *lt-nodes* (black circles), as in Fig. 2b; these connections may be interpreted as channels enabling *instantaneous propagation* of firing. In this case, it is not relevant to introduce operators as AND, for the interleaving semantics, only one source transition may fire per step. Operationally, the declarative components are treated integrating the *stable*

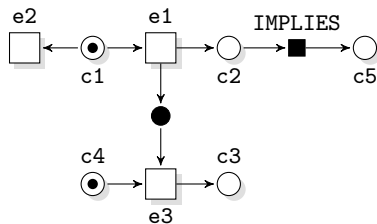


Fig. 3: Example of LPPN with procedural and declarative components.

model semantics used in *answer set programming* (ASP) [14]. This was a natural choice because process execution exhibits a prototypical ‘forward’ nature, and ASP solvers can be interpreted as providing forward chaining.³

Running example Let us consider the LPPN in Fig. 3. Here, for simplicity, we will conflate the names of the transition/places with their labels (equivalent to a *unique name assumption*); in the general case these should be made different as there might be multiple nodes with the same label. The proposed net specifies causal mechanisms, declarative constraints. There is only one token in c1, enabling the transitions associated to e1 and e2. The following execution paths are possible: (1) e2 fires, consuming the token in c1, e3 fires, consuming the token c4 and producing a token in c3; (2, 3) e3 fires, and then one of e1 or e2 fires; (4) e1 fires, consuming the token in c1; the firing propagates to e3; the source firing of e1 also produces a token in c2; the existence of c2 is a sufficient condition for immediately reifying c5.

3 Formalization

This section presents a simplified version of the LPPN notation considering only a *propositional* labeling. We start from the definition of propositional literals derived from ASP [14], accounting for strong and default negation.

Definition 1 (Literal and Extended literals). *Given a set of propositional atoms A , the set of literals $L = L^+ \cup L^-$ consists of positive literals (atoms) $L^+ = A$, negative literals (negated atoms) $L^- = \{-a \mid a \in A\}$, where ‘ $-$ ’ stands for strong negation.⁴ The set of extended literals $L^* = L \cup L^{\text{not}}$ consists of*

³ Both SLD/SLDNF resolution (Prolog) and DPLL (ASP) are based on backward chaining. In DPLL, however, all variables are grounded, and all intermediate atoms generated in the search are collected in *stable models*; without defining any goal, all the worlds that are implied by the input knowledge are returned as output. From an external perspective, this is the same result we would associate with forward chaining. The intuition that there is a relation between ASP and forward chaining is confirmed e.g. in ASPeRiX [13].

⁴ Strong negation is used to reify an explicitly false situation (e.g. “It does not rain”).

literals and default negation literals $L^{\text{not}} = \{\text{not } l \mid l \in L\}$, where ‘not’ stands for default negation.⁵

We denote the basic topology of a Petri net as a procedural net.

Definition 2 (Procedural net). A procedural net is a bipartite directed graph connecting two finite sets of nodes, called places and transitions. It can be written as $N = \langle P, T, E \rangle$, where $P = \{p_1, \dots, p_n\}$ is the set of place nodes; $T = \{t_1, \dots, t_m\}$ is the set of transition nodes; $E = E^+ \cup E^-$ is the set of arcs connecting them: E^+ from transitions to places, E^- from places to transitions.

LPPNs consists of three components: a procedural net specifying causal relationships, and two declarative nets specifying respectively logical dependencies at the level of objects or ongoing events (on places), and on impulse events (on transitions). Furthermore, propositional LPPNs exhibit a boolean marking on places (like *condition/event* nets).

Definition 3 (Propositional Logic Programming Petri Net). A propositional Logic Programming Petri Net $LPPN_{\text{prop}}$ is a Petri Net whose places and transitions are labeled with literals, enriched with declarative nets of places and of transitions. It is defined by the following components:

- $\langle P, T, PE \rangle$ is a procedural net; PE stands for procedural edges;
- $C_P : P \rightarrow L^*$ and $C_T : T \rightarrow L$ are labeling functions, associating literals respectively to places and to transitions;
- $OP = \{\neg, -, \wedge, \vee, \rightarrow, \leftrightarrow, \dots\}$ is a set of logic operators.
- LP and LT are sets of logic operator nodes respectively for places (lp-nodes) and for transitions (lt-nodes).
- $C_{LP} : LP \rightarrow OP$ maps each lp-node to a logic operator; similarly, $C_{LT} : LT \rightarrow OP$ does the same for lt-nodes.
- $DE_{LP} = DE_{LP}^+ \cup DE_{LP}^-$ is the set of arcs connecting lp-nodes to places; similarly, $DE_{LT} = DE_{LT}^+ \cup DE_{LT}^-$ for lt-nodes and transitions.⁶
- $M : P \rightarrow \{0, 1\}$ returns the marking of a place, i.e. whether the place contains (1) or does not contain (0) a token.

Note that if $LP \cup LT = \emptyset$, we have a *strictly procedural* $LPPN_{\text{prop}}$, i.e. a standard binary Petri net. If $T = \emptyset$, we have a *strictly declarative* $LPPN_{\text{prop}}$, that can be directly mapped to an ASP program. For simplicity, we overlook in this document the syntactic constraints on the network topology which are inherited from ASP.

4 Semantics

This section will present two semantics for LPPNs: a hybrid operational semantics and a denotational semantics, based on ASP and event calculus.

⁵ Default negation is used to reify a situation in which something cannot be retrieved/inferred (e.g. ‘It is unknown whether it rains or not’).

⁶ Note that $DE_{LT}^- \subseteq (T \cup P) \times LT$, i.e. these edges go from transitions *and* places (modeling contextual conditions) to lt-nodes.

4.1 Hybrid operational semantics

The execution cycle of a LPPN consists of four steps:

1. given a “source” marking M , the bindings of the declarative net of places entail a “ground” marking M^* ;
2. an enabled transition is selected to *pre-fire*, determining a “source” *transition-event* e ;
3. the bindings of the declarative net of transitions entail all propagations of this event, obtaining a set of *transition-events*, also denoted as the “ground” *event-marking* E^* ;
4. all transition-events are fired, producing and consuming the relative tokens.

The steps (1) and (3) are processed in distinct moments and programs by an ASP solver: the declarative nets of places (1) or of transitions (3) are translated as *rules*, tokens (1) or source transition-events (3) are reified as *facts*. The ASP solver takes as input the resulting program and, if satisfiable, it provides as output respectively one or more ground marking (1) or one or more sets of transition-events to be fired (3). The steps (2) and (4) make clear the distinction the *external* firings (the “source” transition-event selected at execution level) from the *internal* firing, immediately propagated (the “ground” transition-events triggered by the declarative net of transitions). The following definitions provides a formalisation of these concepts.

Definition 4 (Enabled transition). *A transition t is enabled in a ground marking M^* if a token is available for each input places:*

$$Enabled(t) \equiv \forall p_i \in \bullet t, M^*(p) = 1$$

Similarly to what marking is for places, we consider an *event-marking* for transitions $E : T \rightarrow \{0, 1\}$. $E(t) = 1$ if the transition t produces a transition-event e . Each step s has a “source” event-marking E .

Definition 5 (Pre-firing). *An enabled transition t pre-fires (implicitly, at a step s) if it is selected to produce a transition-event:*

$$\forall t \in Enabled(T) : t \text{ pre-fires} \equiv E(t) = 1$$

Applying an *interleaving semantics* for the pre-firing, the interpreter selects only one transition to pre-fire per step; for any other t' , $E(t') = 0$.

Definition 6 (Firing). *An enabled transition t fires (implicitly, at a step s) by propagation consuming a token from each input place, and producing a token in each output place:*

$$\begin{aligned} & \forall t \in Enabled(T) : t \text{ fires} \equiv \\ & E^*(t) = 1 \leftrightarrow \forall p_i \in \bullet t : M^l(p_i) = 0 \wedge \forall p_o \in t \bullet : M^l(p_o) = 1 \end{aligned}$$

4.2 Denotational semantics

One of the possibilities to validate a formal language is to map it into another formal language, i.e. to provide a *denotational semantics*. The declarative component of a LPPN, by design, can be directly rewritten as ASP code. As we are already halfway down the path, we can translate the remaining procedural component into ASP.

Event Calculus axioms A well-known solution to treat change in logic programming is *event calculus* (EC) [11, 21]. The simple version of EC is already satisfactory for our purposes. A modification of the original axioms is however necessary to deal with the *locality* brought by places and transitions:

```
holdsAt(F, P, N) :-
    initially(F, P), not clipped(0, F, P, N),
    fluent(F), place(P), time(N).

holdsAt(F, P, N2) :-
    firesAt(T, N1), N1 < N2,
    initiates(T, F, P, N1), not clipped(N1, F, P, N2),
    place(P), transition(T), fluent(F), time(N1), time(N2).

clipped(N1, F, P, N2) :-
    firesAt(T, N), N1 <= N, N < N2,
    terminates(T, F, P, N),
    place(P), transition(T), fluent(F), time(N1), time(N2), time(N).
```

Interleaved semantics axioms The interleaved semantics can be translated into the following rules:

- i. all enabled transitions may or may not pre-fire;
- ii. pre-firing is transformed to firing;
- iii. at least one enabled transition must pre-fire per step, i.e. it is impossible that no transition fire if there are enabled transitions;
- iv. at maximum one transition can pre-fire per step.

In ASP code:

```
{prefiresAt(T, N)} :-                                     % (i)
    enabled(T, N), transition(T), time(N).

firesAt(T, N) :- prefiresAt(T, N).                       % (ii)

someTransitionPrefiresAt(N) :-                           % (iii)
    prefiresAt(T, N), transition(T), time(N).
:- not someTransitionPrefiresAt(N), enabled(T, N), transition(T), time(N).

:- prefiresAt(T1, N), prefiresAt(T2, N), T1 != T2,      % (iv)
    transition(T1), transition(T2), time(N).
```


Transformation of a LPPN to an ASP program The mapping of a given LPPN to an equivalent ASP program includes the previous axioms and the output of the following steps:

- i. for each place p , with label $C_P(p)$
 - (a) type it as place,
 - (b) specify its initial state,
 - (c) for each place with more than one output, write down that you cannot consume more than the only available token.
- ii. for each transition t , with label $C_T(t)$
 - (a) type it as transition,
 - (b) define the conditions for which it is enabled,
 - (c) for each output place, define how to create tokens in the output places,
 - (d) for each input place, define how to consume tokens in the output places.
- iii. for each lp-node lp ,
 - (a) specify the logic constraint to be applied between inputs and outputs.
- iv. for each lt-node lt ,
 - (a) write down the logic dependencies between transitions allowing the propagation.

As a concrete example, we apply these actions on some of the components of the LPPN in Fig. 3:

```

fluent(filled).

%%% p1, associated to c1
place(c1). % 1.a
initially(filled, c1). % 1.b
:- 2{terminates(e2, filled, c1, N); terminates(e1, filled, c1, N)}. % 1.c

%%% t1, associated to e1
transition(e1). % 2.a
enabled(e1, N) :- holdsAt(filled, c1, N). % 2.b
terminates(e1, filled, c1, N) :- firesAt(e1, N). % 2.c
initiates(e1, filled, c2, N) :- firesAt(e1, N). % 2.d

%% lp1
holdsAt(filled, c5, N) :- holdsAt(filled, c2, N). % 3.a

%% lt1
firesAt(e3, N) :- firesAt(e1, N), enabled(e3, N). % 4.a

```

Execution With the transformation steps given above, valid LPPNs can be transformed into ASP programs. In particular, for the axioms presented here, these programs can be solved the ASP engine `clingo` [3], also available online at: <https://potassco.org/clingo/run/>. Setting a temporal range (with the instruction “`time(0..n).`”) the output answer sets represent all possible executions path after at most n steps.

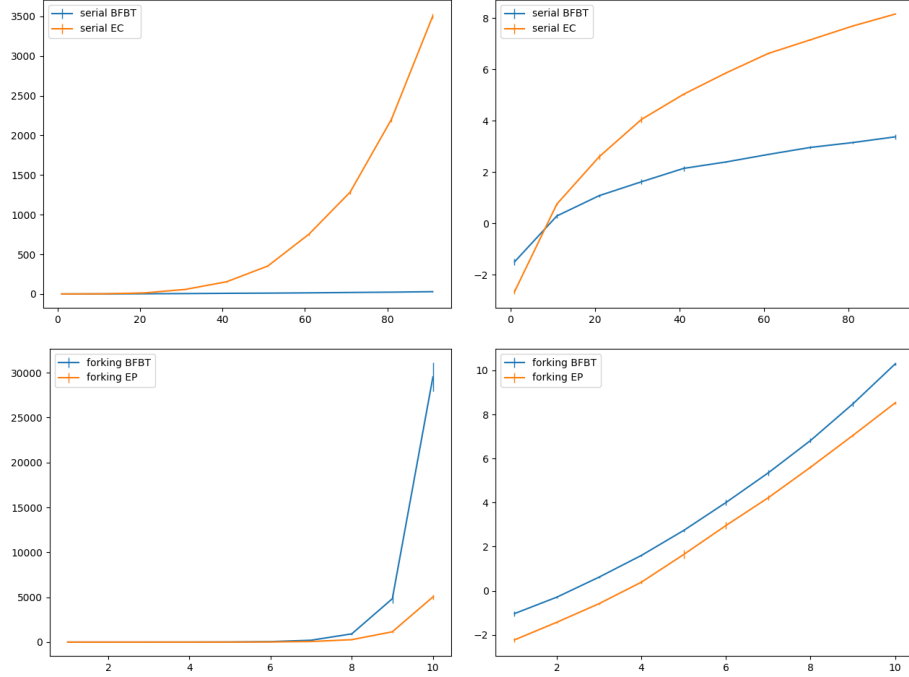


Fig. 4: Average execution times (ms) in linear and logarithmic scales over 10 executions of serial and forking configurations of propositional LPPNs of different depths, performed following alternatively the hybrid operational semantics, via *brute force* execution and *backtracking* (BF+BT); and the denotational semantics, via *event calculus* (EC). Data is on Table 1.

5 Results

The proposal presented above has been used for developing a prototype Python application for specifying, executing and analyzing LPPNs⁷; it exploits `clingo` [3], as this provide runtime interfaces enabling a direct control of the solver instance without regrounding the program at each cycle. This enabled us to perform some direct evaluation of any given LPPN input.

When we process the input LPPN by means of the denotational semantics, the input is transformed to an ASP program, and the solver intervenes *fully* to provide the possible execution paths. Instead, when we refer to the hybrid operational semantics, the solver intervenes only *partially* in the execution cycle, to entail the constraints implied by the declarative components of the net; the rest of the computational burden is on the module responsible for the Petri net execution. In this context, one might ask if we can observe some performances between these two alternative modes of analysis/execution.

⁷ Available at <http://github.com/s113n0/pyppneu>.

<i>serial</i>	depth of composition of minimal structures				
	1	11	21	31	41
EC	0.1 ± 0.0	2.1 ± 0.1	13.5 ± 1.8	58.0 ± 8.2	154.2 ± 8.6
BF+BT	0.2 ± 0.0	1.3 ± 0.1	2.9 ± 0.2	5.1 ± 0.6	8.6 ± 0.9
	51	61	71	81	91
EC	352.4 ± 9.9	754.4 ± 15.2	1285.3 ± 29.3	2200.6 ± 30.1	3499.0 ± 33.9
BF+BT	11.0 ± 0.2	14.7 ± 0.2	19.4 ± 1.1	23.4 ± 0.8	29.3 ± 3.1
<i>forking</i>	1	2	3	4	5
EC	0.1 ± 0.0	0.2 ± 0.0	0.6 ± 0.0	1.5 ± 0.1	5.3 ± 1.3
BF+BT	0.4 ± 0.0	0.7 ± 0.0	1.9 ± 0.1	5.0 ± 0.3	15.5 ± 1.2
	6	7	8	9	10
EC	19.6 ± 3.5	68.5 ± 8.2	272.6 ± 20.4	1151.3 ± 83.7	5033.8 ± 291.7
BF+BT	55.3 ± 7.7	213.1 ± 36.0	920.9 ± 112.1	4834.5 ± 537.9	29529.9 ± 1665.4

Table 1: Average execution time (ms) over 10 executions of different configurations of propositional LPPNs, performed following alternatively the hybrid operational semantics, via *brute force* execution and *backtracking* (BF+BT); and the denotational semantics, via *event calculus* (EC).

At the moment, we have only evaluated a propositional version of LPPN, and a limited series of structures, namely compositions of minimal *serial* elements (a transition with an input and output places) or minimal *forking* elements (a place with two output transitions). In order to implement the procedural component of the operational semantics, the current Petri Net analysis module builds upon a simple *brute force* (BF) execution algorithm, and *depth-first* search with *backtracking* (BT) to cover all the possible execution paths.

Table 1 summarises the performances of 10 executions of different network configurations.⁸ Results are also illustrated on Fig. 4. The data essentially confirms our hypothesis: the analysis based on the operational semantics (BF+BT) clearly outperforms and scales excellently for the serial configurations, while that based on the denotational semantics (EC) scales poorly in this configuration. For the forking configurations, BF+BT is evidently slower in absolute terms. Intuitively this is due to the efficient search and pruning capabilities of ASP. Unlike clingo, the Python code of the Petri net executor/analyzer is not optimised; on the contrary, for many aspects this represents a lower-bound on the possible implementation choices. Nevertheless, if we consider execution times in logarithmic scale, we observe that the two methods are essentially comparable in terms of tractability.

6 Conclusion

The paper presents an empirical experiment with LPPNs, a logic programming-based extension to Petri Nets. LPPNs were introduced with a practical goal

⁸ The tests were run on a MacBook Pro (2018) provided with a 2.2 GHz 6-core processor Intel Code i7 and 16Gb RAM DDR4.

in mind: a visual modelling notation relatively simple for non-experts, that could handle explicit declarative knowledge, and that could model causation and other procedural aspects [22]. It was inspired by the point made in [10] on the widespread confusion in cognitive science and computational disciplines around the notion of *rules* (namely between declarative and reactive rules). Previous contributions [22, 23] highlighted the potential use of LPPNs in normative modelling tasks in combination with business process modelling, thus potentially facilitating cross-fertilization between theoretical to practical settings.

Here the focus has been put on its computational properties, showing that maintaining the two levels separated can bring better performances. The declarative dimension allows to treat at higher abstraction phenomena for which there is a viable specification at outcome level. The procedural dimension works better for processes that can be directly executed.

Future developments concern the extension of this work to a wider range of experiments, first considering mixed networks (of declarative, procedural components) with mixed configurations (serial compositions, forks, joins, etc.) and then passing to the extended LPPN notation accounting for predicates. The actual impact on real models should be evaluated as well: scenarios describing cases have very few forks, they rather function as *orchestrated* (i.e. directed from the scenario) *scripts* (procedural models distributed amongst actors). Consequently, applications that require the use of scenarios (e.g. for interpretation, model-based diagnosis, conformance checking, etc.) may take advantage of the hybrid operational semantics. The computational improvement may be further extended considering existing proposals in the literature. For instance, execution algorithms alternative to brute execution [16, 19]; or decomposition techniques, for instance in *single-entry-single-exit* (SESE) components [17], that open up the possibility of concurrent execution.

Further, these results should be confronted with existing techniques for handling temporal reasoning and causality, e.g. the already cited *Action languages* [6], related works (e.g. F2LP [12]) and applications (CCalc, Coala, Cplus2ASP); optimized versions of Event Calculus (e.g. [1]); applications based on LTL, CTL and related formalisms.

Acknowledgments This work was partly conducted within the NWO-funded projects DL4LD (*Data Logistics for Logistics Data*) (628.001.001) and *Advanced Governance of Information services through Legal Engineering* (AGILE).

References

1. Artikis, A., Sergot, M., Paliouras, G.: An Event Calculus for Event Recognition. *IEEE Transactions on Knowledge and Data Engineering* 27(4), 895–908 (2015)
2. Breuker, J., Hoekstra, R.: Core concepts of law: taking common-sense seriously. *Proc. of Formal Ontologies in Information* (2004)
3. Eiter, T., Faber, W., Fink, M., Woltran, S.: A user’s guide to gringo, clasp, clingo, and iclingo. *Annals of Mathematics and Artificial Intelligence* 51(2-4), 123–165 (2008)

4. Ferraris, P., Lee, J.: Representing first-order causal theories by logic programs. *Theory and Practice of Logic Programming* 12(03), 383–412 (may 2012)
5. Gebser, M., Grote, T., Schaub, T.: Coala: A compiler from action languages to ASP. *Lecture Notes in Computer Science (including subseries Lecture Notes in Artificial Intelligence and Lecture Notes in Bioinformatics)* 6341 LNAI, 360–364 (2010)
6. Gelfond, M., Lifschitz, V.: Action languages. *Electronic Transactions on AI* (1998)
7. Genrich, H.J.: Predicate/Transition Nets. In: *Proceedings Advances in Petri nets 1986*. pp. 207–247 (1987)
8. Jensen, K.: *Coloured Petri Nets: Basic Concepts, Analysis Methods and Practical Use*. Springer-Verlag, London, UK (1996)
9. Kemmerer, D., Eggleston, A.: Nouns and verbs in the brain: Implications of linguistic typology for cognitive neuroscience. *Lingua* 120(12), 2686–2690 (2010)
10. Kowalski, R., Sadri, F.: Integrating logic programming and production systems in abductive logic programming agents. *Web Reasoning and Rule Systems LNCS* 5837, 1–23 (2009)
11. Kowalski, R., Sergot, M.: A logic based calculus of events. *New Generation Computing* 4(June 1975), 67–95 (1986)
12. Lee, J., Palla, R.: System f2lp - computing answer sets of first-order formulas. *Lecture Notes in Computer Science (including subseries Lecture Notes in Artificial Intelligence and Lecture Notes in Bioinformatics)* 5753 LNAI, 515–521 (2009)
13. Lefevre, C., Nicolas, P.: A First Order Forward Chaining for Answer Set Computing. *LPNMR 2009 LNCS* 5753, 196–208 (2009)
14. Lifschitz, V.: What Is Answer Set Programming? *Proceedings of the AAAI Conference on Artificial Intelligence* (2008)
15. McCarthy, J., Hayes, P.J.: Some philosophical problems from the standpoint of artificial intelligence. In: *Machine Intelligence*, pp. 1–51. Edinburgh University Press (1969)
16. Moreno, R.P., Salcedo, J.L.V.: Performance evaluation of petri nets execution algorithms. *Conference Proceedings - IEEE International Conference on Systems, Man and Cybernetics* pp. 1400–1407 (2007)
17. Munoz-Gama, J., Carmona, J., Van Der Aalst, W.M.P.: Single-Entry Single-Exit decomposed conformance checking. *Information Systems* 46, 102–122 (2014)
18. Murata, T.: Petri nets: Properties, analysis and applications. *Proceedings of the IEEE* 77(4) (1989)
19. Piedrafita, R., Villarroel, J.L.: Performance evaluation of petri nets centralized implementation. The execution time controller. *Discrete Event Dynamic Systems: Theory and Applications* 21(2), 139–169 (2011)
20. Reiter, R.: *Knowledge in action: logical foundations for specifying and implementing dynamical systems*. MIT Press (2001)
21. Shanahan, M.: The event calculus explained. *Artificial Intelligence Today* pp. 409–430 (1999)
22. Sileno, G.: *Aligning Law and Action*. Ph.D. thesis, University of Amsterdam (2016)
23. Sileno, G., Boer, A., van Engers, T.: A Petri net-based notation for normative modeling: evaluation on deontic paradoxes. In: *Workshop on Mining and Reasoning with Legal texts (MIREL2017) in conjunction with ICAIL2017* (2017)
24. Thielscher, M.: From situation calculus to fluent calculus: State update axioms as a solution to the inferential frame problem. *Artificial Intelligence* 111(1-2), 277–299 (1999)